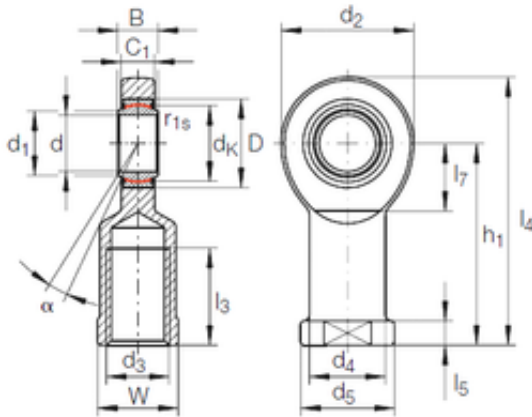




# PCD ITALIA Limited

## 10 mm x 19 mm x 9 mm INA GIR 10 UK plain bearings



GIR 10 UK Bearing 2D drawings and 3D CAD models

Bearing No. GIR 10 UK

Size	10x19x9 mm
Bore Diameter	10 mm
Outer Diameter	19 mm
Width	9 mm
d	10 mm
D	19 mm
B	9 mm
d1	13,2 mm
d2	29 mm
d4	15 mm
dk	16 mm
h1	43 mm
l3 min.	20 mm
l4 max.	57,5 mm
l5	6,5 mm
l7 min.	15 mm
r1 min.	0,3 mm
C1	7 mm
W	17 mm
Thread (G)	M10
Angle	12 °
d5	19 r/min
Weight	0,061 Kg
Basic dynamic load rating (C)	8,65 kN