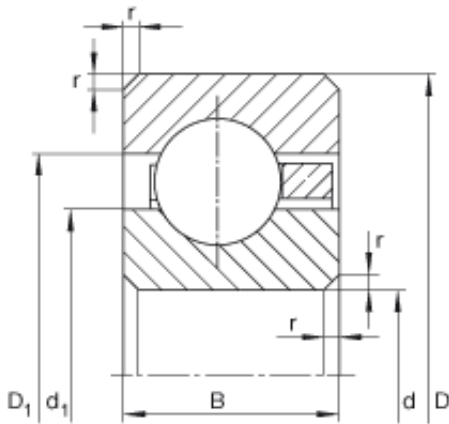




## PCD ITALIA Limited

25 inch x 685,8 mm x 25,4 mm INA CSCG250  
deep groove ball bearings

Bearing No. CSCG250



CSCG250 Bearing 2D drawings and 3D CAD models

Size	635x685.8x25.4 mm
Bore Diameter	635 mm
Outer Diameter	685,8 mm
Width	25,4 mm
d	635 mm
d	25 inch
D	685,8 mm
B	25,4 mm
D <sub>1</sub>	667 mm
d <sub>1</sub>	653,9 mm
r <sub>min</sub>	2 mm
m	8,85 kg / Weight
C <sub>r</sub>	68000 N / Dynamic load rating (radial)
C <sub>0r</sub>	174000 N / Static load rating (radial)