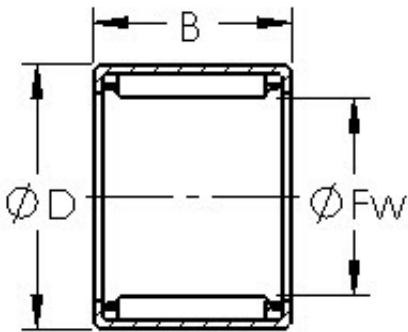




PCD?ITALIA ?Limited



AST HK1612 needle roller bearings

Bearing No. HK1612

Size	16x22x12 mm
Bore Diameter	16 mm
Outer Diameter	22 mm
Width	12 mm
Bearing Type	Cage Retained Rollers
Outer Dia (D)	22.0000
Width (B)	12.0000
Dynamic Load Rating (Cr)	7,600
Static Load Rating (Cor)	9,700
Max Speed (Grease) (X1000 RPM)	15,000
Shaft (Fw)	16.000
Weight (g)	12.00
Material - Drawn cup: Hardened carbon steel alloy, Rollers	52100 Chrome steel or equivalent

HK1612 Bearing 2D drawings and 3D CAD models